

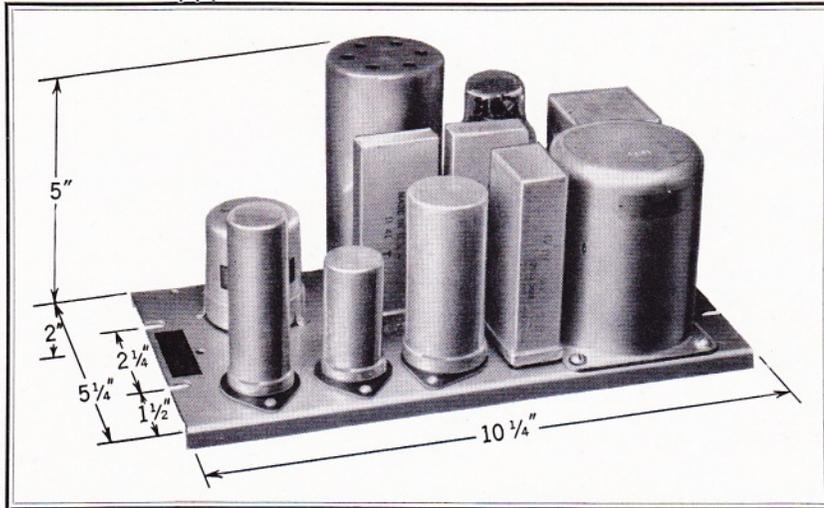
OK FOR FM

MAIN AMPLIFIER

AMPLIFIER
132A
<i>Western Electric</i>

for use in

SPEECH INPUT OR
SOUND SYSTEMS



COMPACT physical dimensions — low signal-to-noise ratio — gain and output power capable of providing

a suitable margin above line level to allow for energy drains to coupling and equalizing devices, are among the features which recommend the Western Electric 132A Amplifier for use as a *Main Amplifier* in modern audio system installations.

The input circuit of the 132A Amplifier will operate either from the output of a booster amplifier serving a large mixer circuit, or directly from mixer circuits, provided the number of branches is limited.

In addition to feeding normally equalized transmission lines or master switching circuits, adequate power is available to handle comfortably program bus systems or studio auditioning facilities. Fidelity is maintained over the full 30-15,000 cycle range through use of Stabilized Feedback, and components are carefully shielded to prevent self-generated noise.

The 132A Amplifier is of the two-stage type, operates from an external power supply and is suited for either desk or rack mounting.

Western Electric

TYPICAL ELECTRICAL CHARACTERISTICS

Gain:	48 db.
Operates From:	30, 250 or 600 ohms.
Operates Into:	600 ohms.
Output Power:	0.6 watt (+28 dbm)* with 1 per cent total harmonic distortion.
Output Noise:	—65 db unweighted*. —75 db weighted* (Standard ear sensitivity curve).
Frequency Characteristic:	Flat within 1 db over the range 30 to 15,000 cycles.
Power Supply:	Filament 6.3 Volts, 1.5 Amperes. Plate 275 Volts, 31 ma. (Filament and plate supply may be obtained from 18 or 20 Type Rectifiers.)

* (Ref. .001 Watt)

EQUIPMENT CHARACTERISTICS

Panel Size:	5 $\frac{1}{4}$ by 10 $\frac{1}{4}$ inches. The apparatus extends approximately 5 inches from the front and 2 inches from the rear of the panel.	
Weight:	6 $\frac{1}{2}$ pounds.	
Mounting:	Designed for mounting on a 177 Type Mounting Plate, which requires 10 $\frac{1}{2}$ inches of relay rack space. Flexible rubber mountings are furnished.	
Finish:	Bright aluminum lacquer.	
Vacuum Tubes*	WESTERN ELECTRIC or COMMERCIALY AVAILABLE	
	First Stage	348A
	Second Stage	349A
		6J7, 6J7G or 1620
		6F6 or 6F6G

*Tubes must be specified as separate item on order.

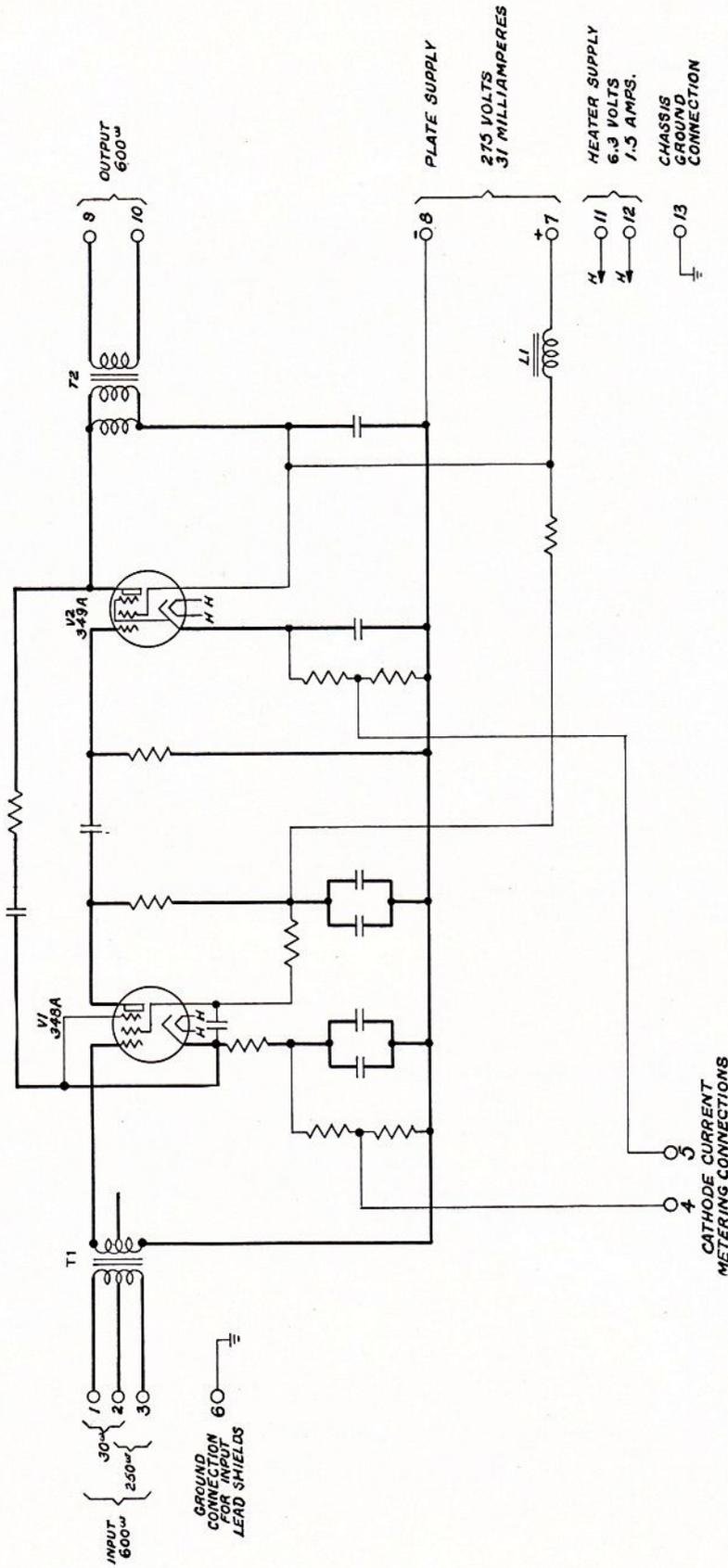
Accessory Equipment

The following accessory equipment is recommended for use with this amplifier:

KS-10003 Meter (for measuring plate currents of vacuum tubes)

Western Electric 177 Type Mounting Plate (one mounts three 132A Amplifiers)

Western Electric 296 Type Panel (blank mat for 177 Type Mounting Plate — 296A Panel for use with 177A Mounting Plate and 296B Panel for use with 177B Mounting Plate)



Simplified Schematic

DISTRIBUTOR IN THE UNITED STATES

Graybar

ELECTRIC COMPANY

Executive Offices: 420 Lexington Avenue, New York 17, N. Y.

ALABAMA Birmingham	ILLINOIS Chicago Peoria	Flint Grand Rapids Lansing	Durham Winston-Salem	TENNESSEE Chattanooga Knoxville Memphis Nashville
ARIZONA Phoenix	INDIANA Hammond Indianapolis	MINNESOTA Duluth Minneapolis St. Paul	OHIO Akron Cincinnati Cleveland Columbus Dayton Toledo Youngstown	TEXAS Beaumont Corpus Christi* Dallas Fort Worth Houston San Antonio
CALIFORNIA Los Angeles Oakland Sacramento San Diego San Francisco	IOWA Davenport Des Moines	MISSOURI Kansas City St. Louis	OKLAHOMA Oklahoma City Tulsa*	UTAH Salt Lake City
COLORADO Denver	KANSAS Wichita	NEBRASKA Omaha	OREGON Portland	VIRGINIA Richmond Roanoke Norfolk
CONNECTICUT Hartford New Haven	KENTUCKY Louisville	NEW JERSEY Newark	PENNSYLVANIA Allentown Harrisburg Philadelphia Pittsburgh Reading	WASHINGTON Seattle Spokane Tacoma
DIST. OF COLUMBIA Washington	LOUISIANA New Orleans	NEW YORK Albany Buffalo New York Rochester Syracuse	RHODE ISLAND Providence	WISCONSIN Milwaukee
FLORIDA Jacksonville Miami Orlando Tampa	MAINE Portland	NO. CAROLINA Asheville Charlotte		
GEORGIA Atlanta Savannah	MARYLAND Baltimore			
	MASSACHUSETTS Boston Springfield Worcester			
	MICHIGAN Detroit			

*Sales Office

A NATIONAL ELECTRIC SERVICE

DISTRIBUTOR FOR CANADA AND NEWFOUNDLAND

Northern Electric Company

LIMITED

General Offices: 1620 Notre Dame Street, W. Plant: 1261 Shearer Street,
Montreal, P. Q., Canada

TWENTY-THREE BRANCHES FROM COAST TO COAST